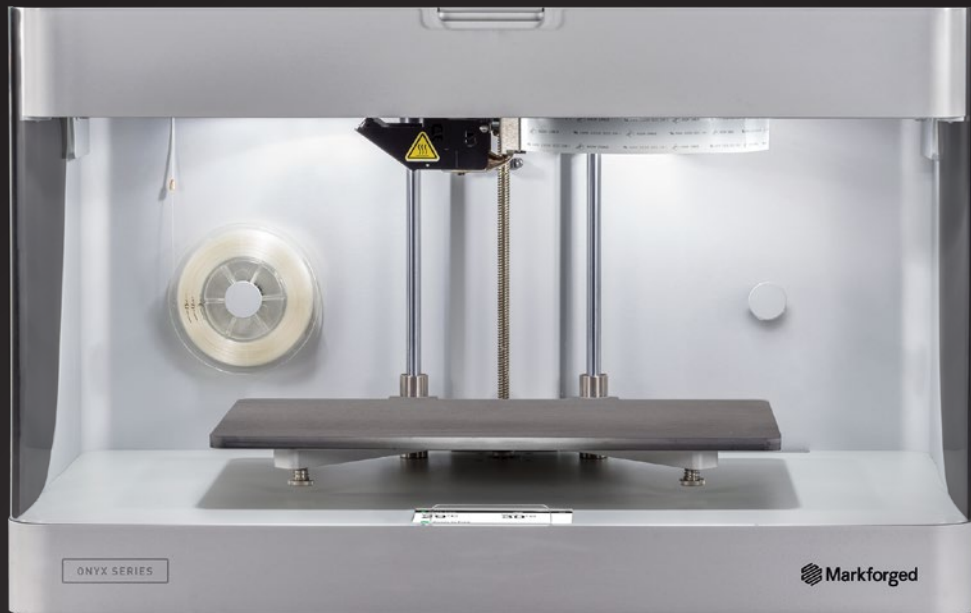
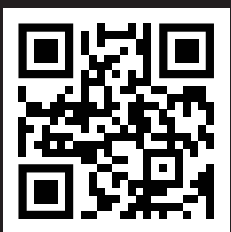


MARKFORGED ONYX PRO



Fibreglass reinforcement with a small form factor.

- + Desktop sized Composite 3D printer.
- + Print reinforced fibreglass parts 10x stronger than conventional plastics.



alfex.com.au

 Markforged

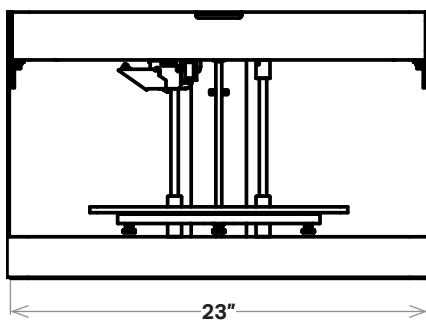
 **alfex**
cnc | additive | laser

Onyx Pro (Gen 2)

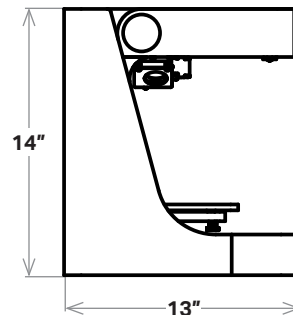
The Onyx Pro features our unique continuous fiber reinforcement at an affordable price. Built on a durable chassis with precision components, the Onyx Pro prints fiberglass-reinforced thermoplastic parts that are 10x as strong as traditional printing plastics.

Printer Properties	Process	Fused filament fabrication, Continuous Filament Fabrication
	Build Volume	320 x 132 x 154 mm (12.6 x 5.2 x 6 in)
	Weight	16 kg (35 lbs)
	Machine Footprint	584 x 330 x 355 mm (23 x 13 x 14 in)
	Print Bed	Kinematic coupling — flat to within 160 µm
	Extrusion System	Second-generation extruder, out-of-plastic detection
	Power	100–240 VAC, 150 W (2 A peak)
	RF Module	Operating Band 2.4 GHz Wi-Fi Standards 802.11 b/g/n
Materials	Plastics Available	Onyx, Precise PLA, Smooth TPU
	Fibers Available	Fiberglass
	Tensile Strength	590 MPa (19.0x ABS, 1.9x 6061-T6 Aluminum) *
	Tensile Modulus	21 GPa (9.4x ABS, 0.3x 6061-T6 Aluminum) *
Part Properties	Layer Height	100 µm default, 200 µm maximum
	Infill	Closed cell infill: multiple geometries available
Software	Supplied Software	Eiger Cloud (Other options available at cost)
	Security	Two-factor authentication, org admin access, single sign-on

FRONT VIEW



SIDE VIEW



* Continuous fiberglass data. **Note:** All specifications are approximate and subject to change without notice.